

Kronborg Care's - Rustfrit stål RS AISI316 – Udendørs miljøer.

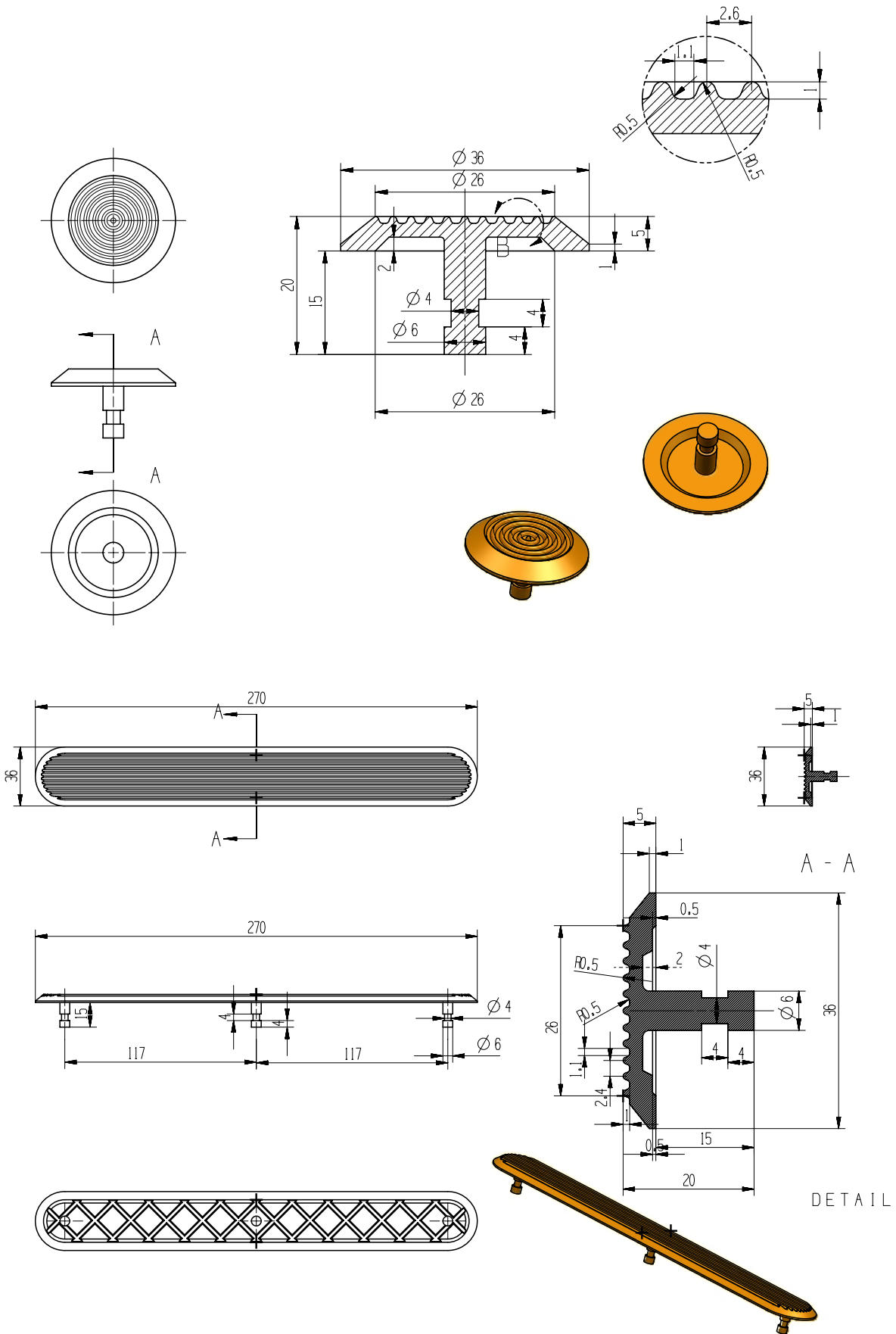
Kronborg Care's taktile ledelinjer og opmærksomhedsfelter fås i modellerne Line og Diamond, produktet fås i støbt eller fræset udformning, afhængig af den ønskede finish og anvendelse. Den støbte løsning er bedst udendørs, da undersiden er hul (plads til lim), samt giver plads til mindre ujævnheder i underlaget. De fræste modeller har en glat bagside og en flottere finish til indendørs anvendelse, på helt glat underlag.

Monteringen udføres ved at bore huller i underlaget, tre huller pr. element og et hul pr. nitte. Der anvendes en laserskåret metalkabelon for hullernes placering. Dornene fastgøres med anbefalet lim, som påføres i de borede huller. Hvis man ikke vil bore i underlaget, så tilbydes også elementer og nitter uden dorne, til limning eller montering med dobbeltklæbende tape. Højde 3-5 mm. Der anbefales en max. Højde på 3mm, hvis underlaget er glat og ensartet, dette af hensyn til andre gående trafikanter. Kørestol- og rollatorbrugere.



Datablad Rustfrit stål AISI316			
Standard	Mål (+/- 1mm)	LINE	DIAMANT
Støbt ledelinje med dorn	Standard mål		
	290 x 36 x 5 mm	x	x
	270 x 36 x 5 mm	x	x
	180 x 36 x 5 mm	x	x
*	290 x 36 x 3,5 mm	x	x
*	280 x 36 x 3,5 mm	x	x
*	180 x 36 x 3,5 mm	x	x
Støbt nitte med dorn	Ø 36 x 5mm	x	x
*	Ø 36 x 3,5mm	x	x

- Støbte ledelinjer og nitter i 3,5mm har ikke hul bagside grundet tykkelsen.
- Ovenstående er standard mål, kan leveres i andre mål efter ordre.





TEST REPORT

No. : XMIN2003001412ML

Date : Mar 23, 2020

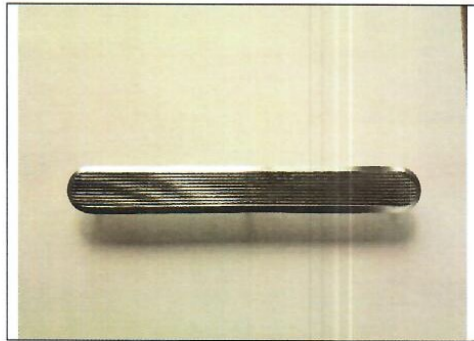
Page: 2 of 2

Chemical Composition Analysis:

Test Method: GB/T 11170-2008

Element	C	Si	Mn	P	S	Cr	Ni	Mo	N
Result, %	0.024	0.68	1.09	0.036	0.003	16.16	10.42	2.25	0.046

Original Sample Photo:



***** End of report*****



Unless otherwise agreed in writing, this document is issued by the Company subject to its General Conditions of Service printed overleaf, available on request or accessible at <http://www.sgs.com/en/Terms-and-Conditions.ssgs> and, for electronic formal documents, subject to Terms and Conditions for Electronic Documents at <http://www.sgs.com/en/Terms-and-Conditions/Terms-e-Documents.asp>. Attention is drawn to the limitation of liability, indemnification and jurisdiction issues defined therein. Any holder of this document is advised that information contained hereon reflects the Company's findings at the time of its intervention only and within the limits of Client's instructions, if any. The Company's sole responsibility is to its Client and this document does not exonerate parties to a transaction from exercising all their rights and obligations under the transaction documents. This document cannot be reproduced except in full, without prior written approval of the Company. Any unauthorized alteration, forgery or falsification of the content or appearance of this document is unlawful and offenders may be prosecuted to the fullest extent of the law. Unless otherwise stated the results shown in this test report refer only to the sample(s) tested and such sample(s) are retained for 30 days only.

Attention: To check the authenticity of testing inspection report & certificate, please contact us at telephone: (+86-755) 8387 1443, or email: CN.Doccheck@sgs.com

No.31 Xianghong Road, Xiang'an Torch Industrial Zone, Xiamen Fujian Province, China. 361101 t: (86-592) 5761588 f: (86-592) 5765380 www.sgs.com.cn
 中国·福建·厦门·火炬(翔安)产业区翔虹路31号 邮编:361101 t: (86-592) 5761588 f: (86-592) 5765380 e: sgs.china@sgs.com

Member of the SGS Group (SGS SA)